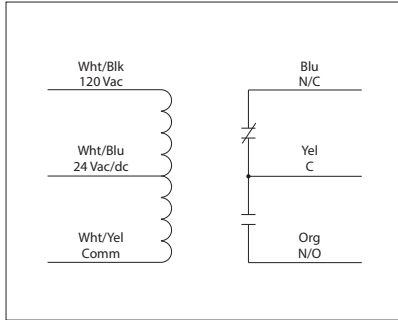


10 AMP TRIVOLT CONTROL RELAYS

RIB2401C

TriVolt Relay, 10 Amp SPDT, 24Vac/dc or 120Vac, NEMA 1 Housing



RIB2401C-RD
• Red housing



RIB2401C-N4
• NEMA 4X housing



SPECIFICATIONS

Relays & Contact Type: One (1) SPDT Continuous Duty Coil
Expected Relay Life: 10 million cycles minimum mechanical
Operating Temperature: -30 to 140° F
Humidity Range: 5 to 95% (noncondensing)
Operate Time: 6ms
Relay Status: LED On = Activated
Dimensions: 1.70"H x 2.80"W x 1.50"D with 0.50" NPT nipple
Housing Detail: See **Housing A** in housing guide for dimensions
Origin: Made of US and non-US parts
Wires: 16", 600V Rated
Approvals: UL Listed, C-UL, CE, RoHS (All models)
 UL916 (RIB2401C)
 UL864, California State Fire Marshal (RIB2401C-RD)
 UL508 (RIB2401C-N4)
Housing Rating: UL Accepted for Use in Plenum, NEMA 1
Gold Flash: No
Override Switch: No

Contact Ratings:
 10 Amp General Use @ 277 Vac
 10 Amp Resistive @ 30 Vdc (N/O)
 7 Amp Resistive @ 30 Vdc (N/C)
 1/2 HP @ 125 Vac
 1 HP @ 250 Vac
 1/4 HP @ 277 Vac
 470 VA Pilot Duty @ 125 Vac
 770 VA Pilot Duty @ 250 Vac

Coil Current:
 24 mA @ 20 Vac
 28 mA @ 24 Vac
 44 mA @ 35 Vac
 28 mA @ 120 Vac
 13 mA @ 20 Vdc
 16 mA @ 24 Vdc
 25 mA @ 35 Vdc

Coil Voltage Input:
 24 Vac/dc ; 120 Vac ; 50-60 Hz
 Drop Out = 3.0 Vac / 3.8 Vdc
 Pull In = 20 Vac / 20 Vdc